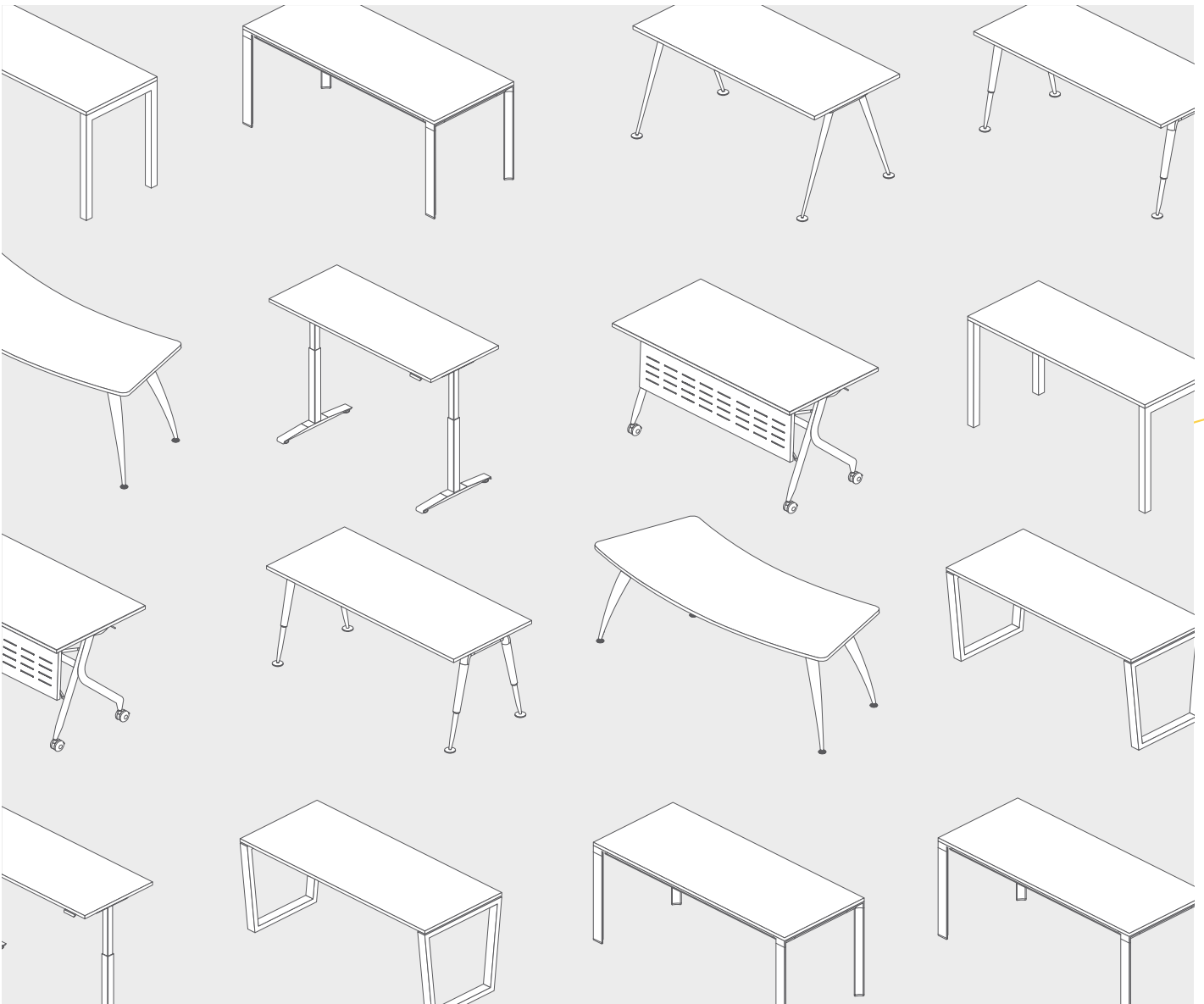


DESK ELEMENTS

direct PRODUCTS



OMEGA

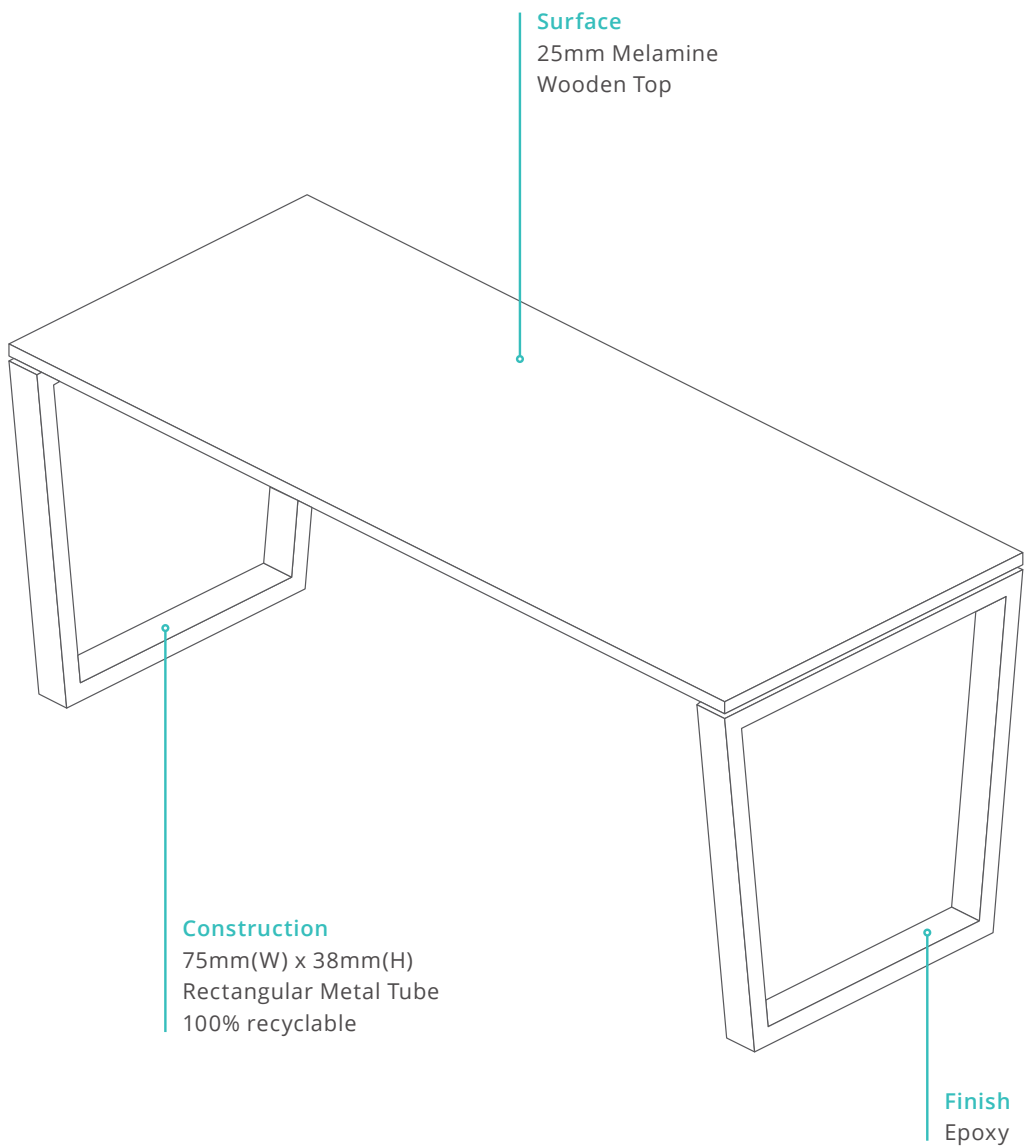
Designed with clean, simple and clear elements, yet exuding a strong character. The minimalist style stands out elegantly, creating a timeless statement. **Omega** is a desking system that empowers you to organize your space to your liking through numerous modular possibilities and creative cable management systems.





OMEGA

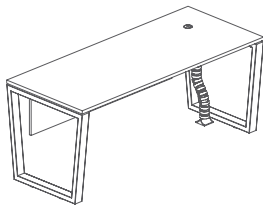
Omega provides an outstanding appearance for standout personalities. The durable rectangular steel frame and melamine top create a solid and highly superior product.



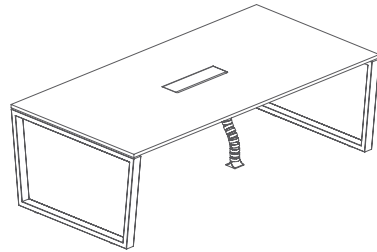
Structure



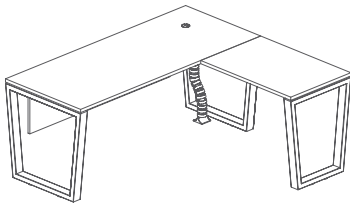
Standard Configuration



Rectangular Desk

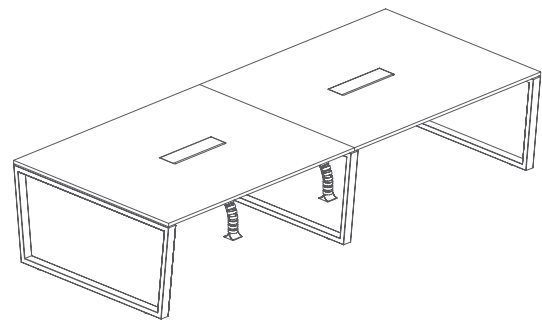


Meeting Table

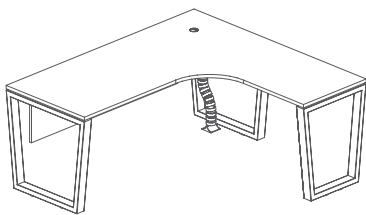


Rectangular Desk

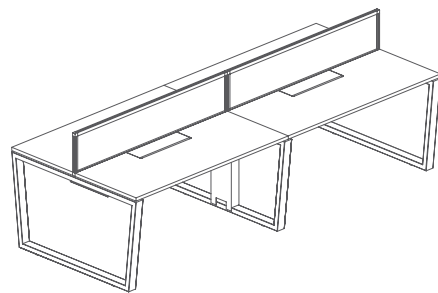
Fresno: Option



Conference Table



L-Shaped Desk C



Cluster Desk



Direct Products Postal

PO Box 1029, Konyung, 3931, Vic, Aus

Direct Products Office

1A / 15 Carbine Way, Mornington, 3931, Vic, Aus

Phil Ellis | Director

Phone: 0412 357 499 | Email: phil@directproducts.net.au

Nick Ellis | Sales Executive

Phone: 0438 006 731 | Email: nick@directproducts.net.au

General Information

Email: sales@directproducts.net.au