

Direct Products Postal
PO Box 1029, Kunyung, 3931, Vic, Aus

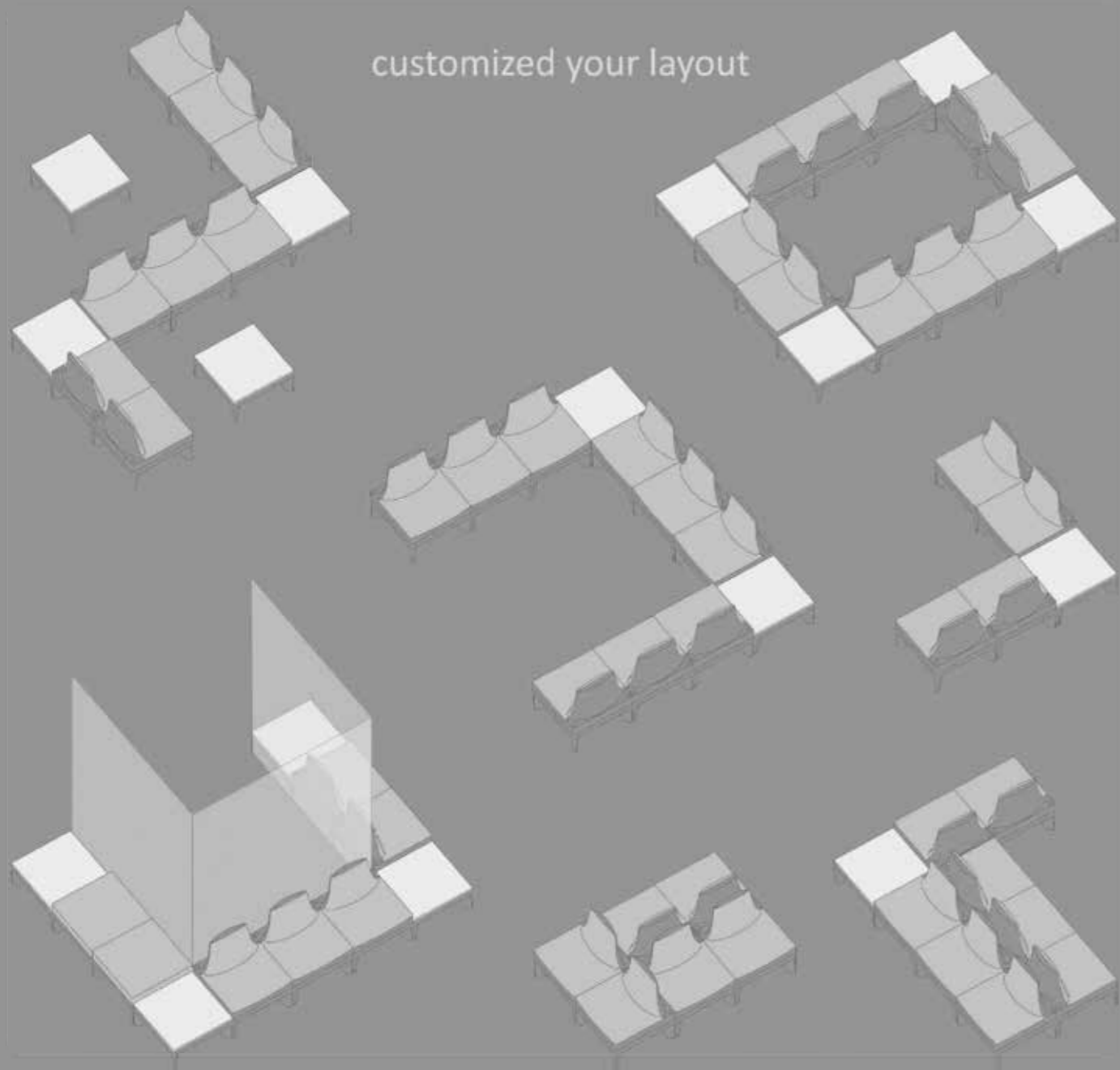
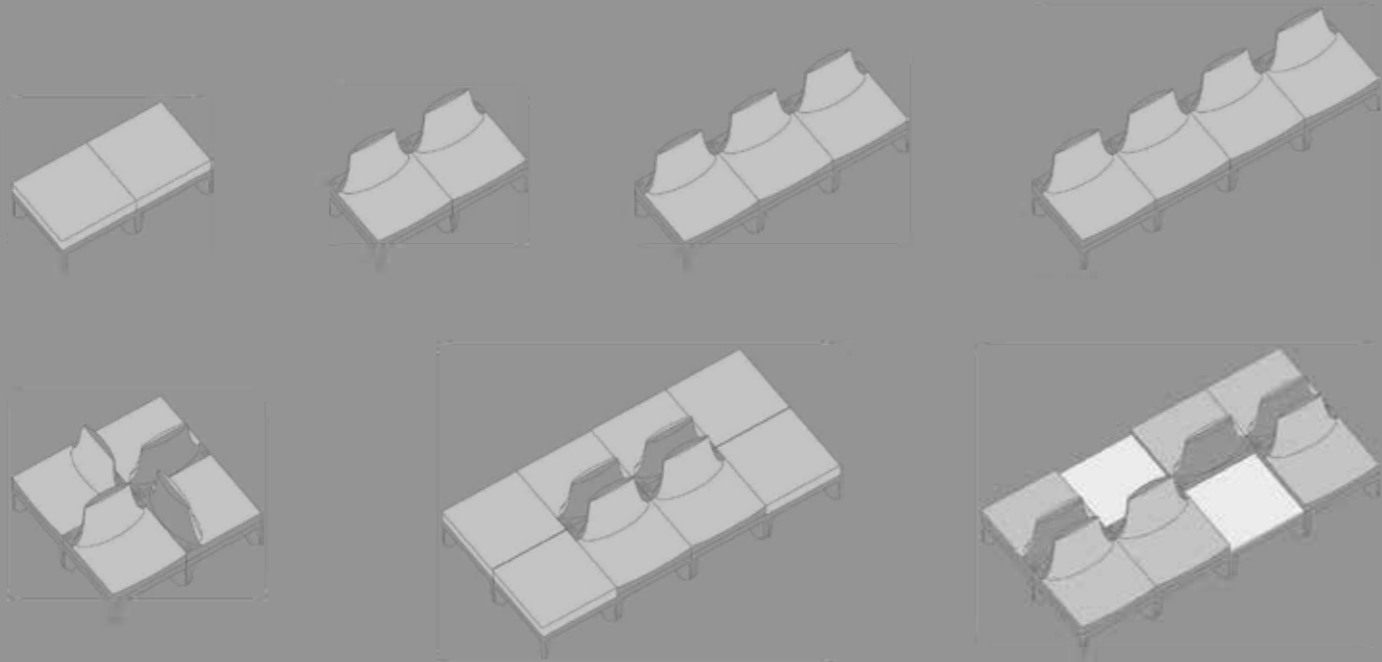
Direct Products Office
1A / 15 Carbine Way, Mornington, 3931, Vic, Aus

Phil Ellis | Director
Phone: 0412 357 499 | Email: phil@directproducts.net.au

Nick Ellis | Sales Executive
Phone: 0438 006 731 | Email: nick@directproducts.net.au

General Information
Email: sales@directproducts.net.au





Motion is a modular sofa system designed for offices, bars, hotels and waiting areas. The square module and quick linking encourages designers to experiment with endless layout orientations and various eye-catching multi-colour swatches.

With **Motion** as your building block, you can create semi-private spaces by adding screens and tables. Various modules and useful accessories makes **Motion** customizable to any setting, offering the possibility to make formal office and conference settings more playful.



Clip-On Ganging
Modules are quickly linked together by a clip-on connector under the base. 2 connectors are included with each module.



▲ Privacy Screen

Optional add-on screen help to reduce visual distractions and enhance personal privacy and comfort. Use screens to create a cellular environment for meetings and working or for reading and resting within common areas.



▲ Convenient hooks

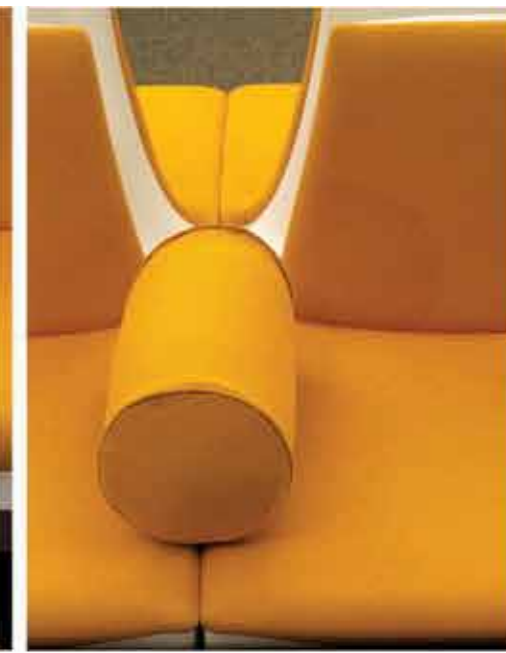
Screen connectors offers a hook to hang your bag or jacket. Steel internal frame with sponge and fabric upholstery. The screen is mounted to the module base.



▲ Optional 45 degree Side Table also available to form oblique and zig-zag arrangements. It attaches between two sofa modules using steel brackets underneath. Table Top will be in laminated MDF board in 18mm thickness.



▲ Amenity Top
210mm diameter laminated table top in 18mm thickness, just perfect for a cup of coffee or iPad. Steel framework in epoxy powder coating and to be mounted underneath of base.



▲ Armrest Bolster
Fabric upholstered armrest for added plush and also functions as a divider between two seats.

▼ Back-Seat-Base

Cushioned back and seat in various upholstery colour options. Back shell is moulded in Polypropylene in 2 colour options, White and Grey, while the base is moulded in Grey Polypropylene.

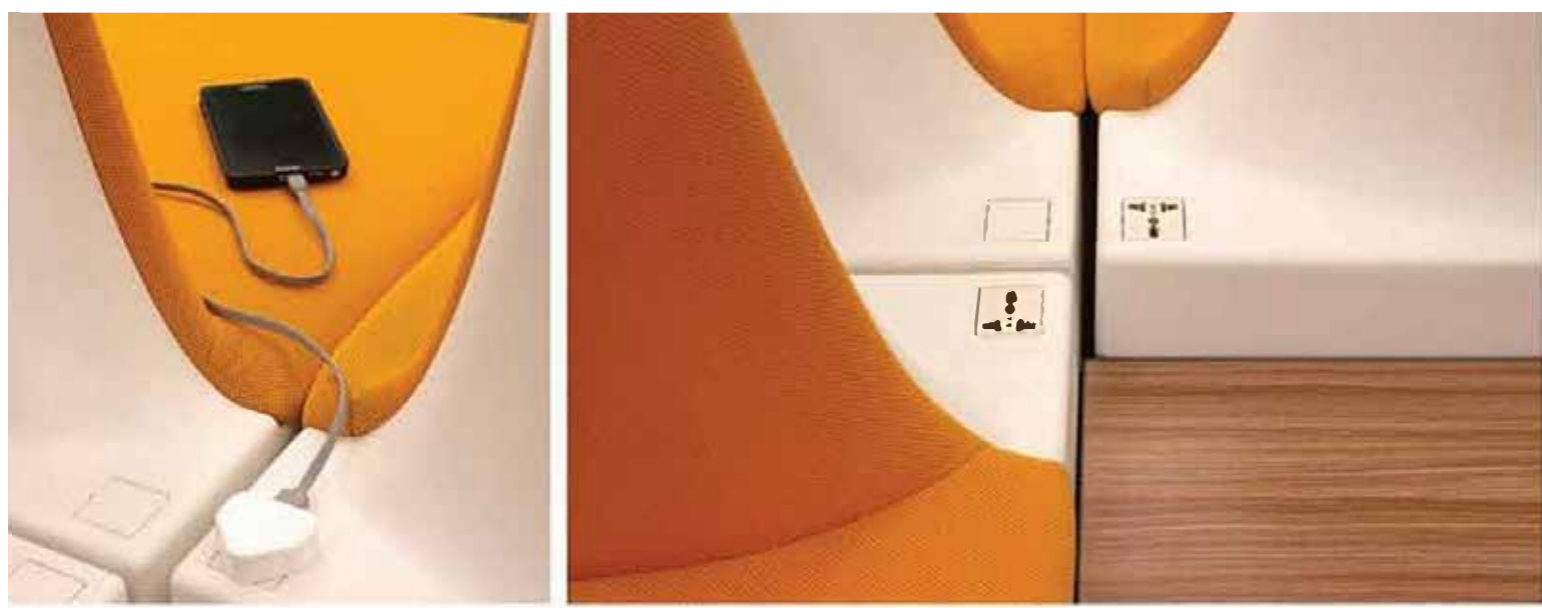
▲ Coffee Table Module

Laminated table top in 18mm thickness, W700mm x L700mm come with Polypropylene base in standard grey colour. It can be integrated to other modules via clip-on connectors or as an individual coffee table.

▼ Pouf

Additional seating area without backrest, or you can even use it as a footrest.





Universal Standard Outlet
 A multi-standard outlet located just behind the seat provides easily accessible charging points for devices from all around the globe. Outlet can be installed to the left or right side to suit arrangement.

Plug & Play Connection
 Electrical power is supplied to sofa modules by simply plugging in additional modules. End users can easily reconfigure furniture arrangement by unplugging and replugging connectors, as if Sophia was an appliance.

Built in Wire Management
 Cable guideways underneath Motion's base keep wiring neat and away from view.

Model

Base in standard grey colour. Back shell in 2 standard colours, white or grey. Other colour available in minimum quantity requirement.



Motion Module white
985P NA A00 AQ



Motion Module grey
985G NA A00 AQ



Pouf Module
984 NA A00 AQ



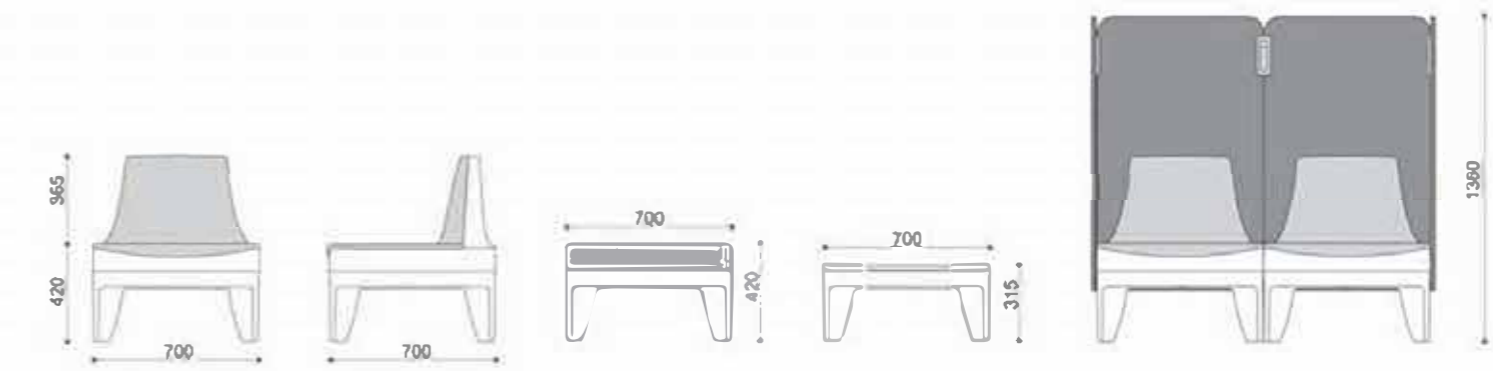
Coffee Table Module
981 NA A00 AQ

Accessories



TSS Side Table 45° **TT3 Amenity Top** **AB1 Armrest Bolster** **P2b Power Outlet Kit** **SC1 Privacy screen**

Dimensions



Power supply kits are optional and need to be ordered.

- P2a Power Entry Kit**
connects Sophia to building's electrical supply from floor or wall.
- P2b Power Outlet Kit**
(for each Sofa module only) basic kit with universal outlet and provides connection to the next Sophia module.
- P2c Jumper Cable**
(for each Pouf or Coffee Table module) passes power through a pouf or coffee table module.
- P2d T-junction Splitter**
to split power circuit in T-shaped Sophia arrangements.

