

# ARRIVE

# direct

PRODUCTS

Seating Products



## **Seating Excellence at Work**

Arrive is a beam-type seating system designed for public areas such as airport, stations, malls and museums. Design details are carefully thought out such as hidden screws from view.



**Comfort**

Seat of moulded Integral Polyurethane over steel frame gives a soft-touch apart from its comfort while seating on it.

**Low Maintenance**

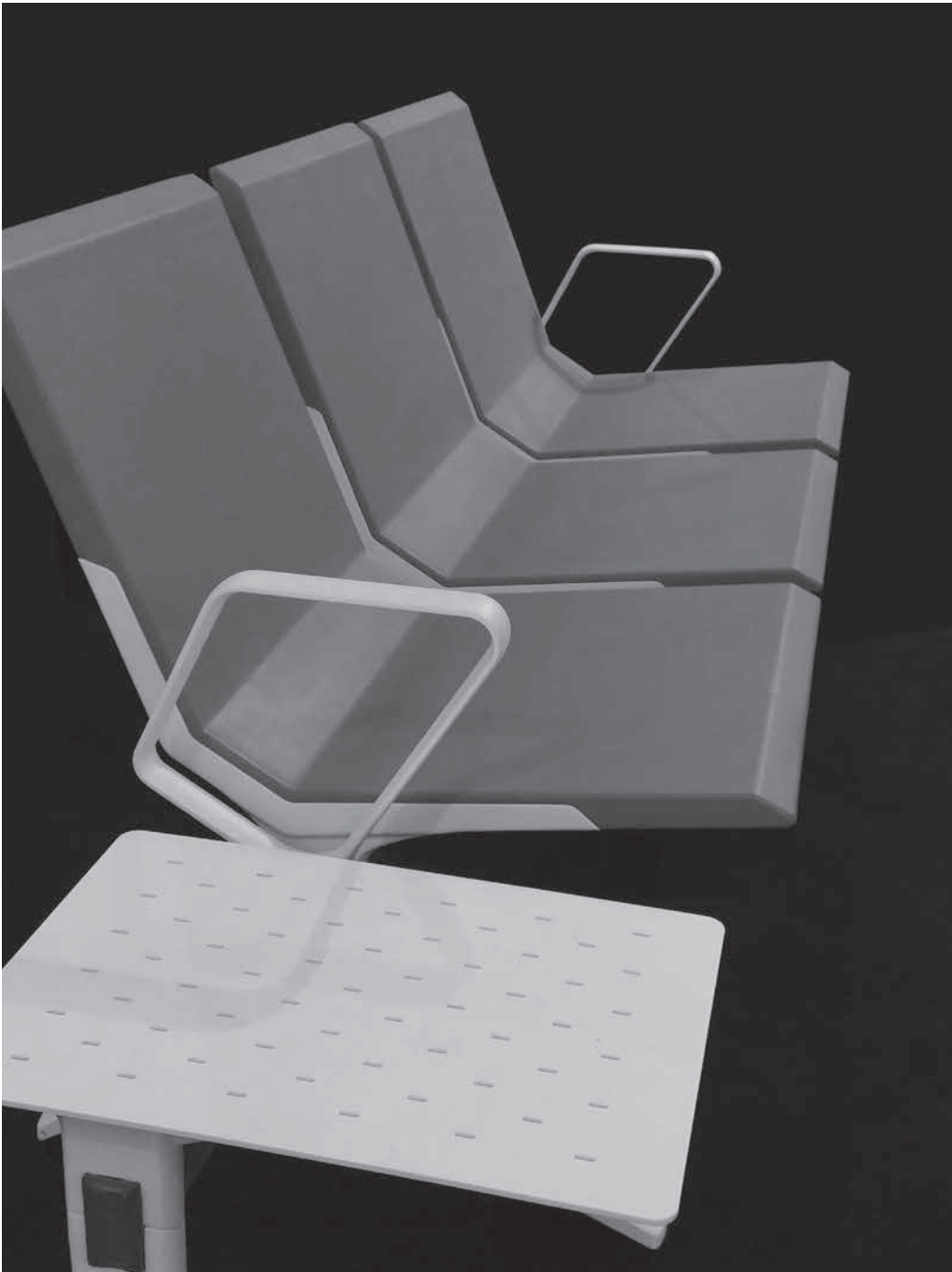
The seat has a straight angular line design that avoids having recesses that might trap dirt, to make cleaning easier.

**Sustainability**

Worn out seat pads can be easily replaced on site, using a common tool by a single operator.

**Appearance**

Diecast aluminum frame adds a classy premium appearance, while providing robust strength for heavy public use.



Arrive is available in two-, three-, four- or more seats according to requirement.

### Seats

is available in 2-,3-,4-, and 6-seaters. Seats are moulded integral PU foam over steel frame in standard grey colour.

### Seat Supporter

of diecast aluminium in polished finish. (100% recyclable)



### Beam Structure

of rectangular section steel in silver epoxy powder-coat.

### Side Table

of laser cut mild steel plate in textured silver epoxy powder-coat.

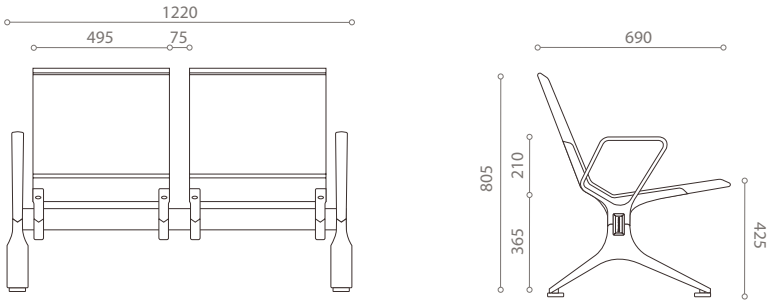
### Armrests, legs and frame components

of diecast aluminium in polished finish. (100% recyclable)

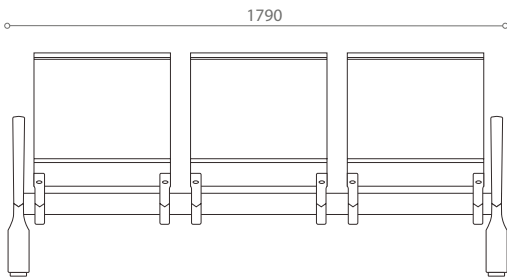
### Height-adjustable feet

of black polypropylene, for levelling on uneven floors.

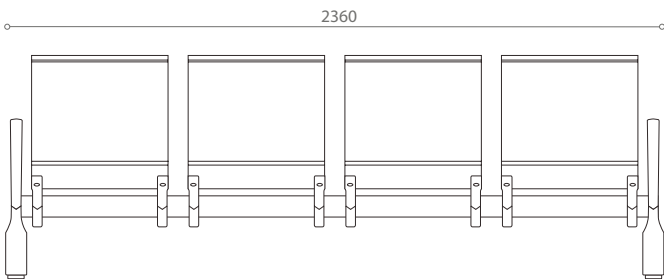
**2 seater**  
557 B2 A00 J



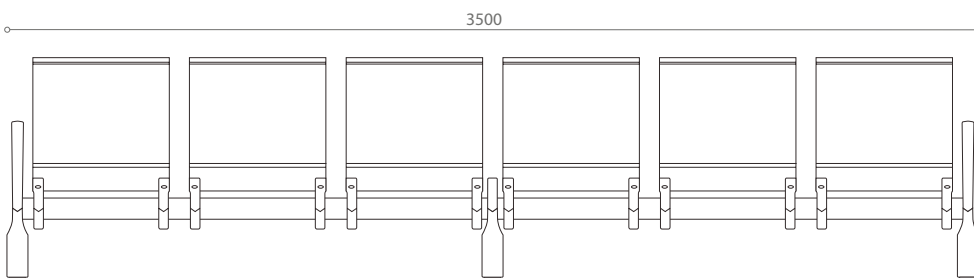
**3 seater**  
557 B3 A00 J



**4 seater**  
557 B4 A00 J



**6 seater**  
557 B6 A00 J



**Options****Armrest**

Without Armrest  
(A00)



With Armrest  
(A70)

---

**Base**

AN Base

---

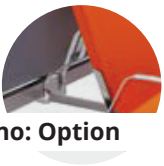
**Side Table**

Steel Side Table  
W330 x L475  
(TS4)



Steel Round Table  
Dia. 560  
(TT2)

---

**Accessories****Fresno: Option**

Back-to-Back Link  
(L8)



**Direct Products Postal**

PO Box 1029, Konyung, 3931, Vic, Aus

**Direct Products Office**

1A / 15 Carbine Way, Mornington, 3931, Vic, Aus

**Phil Ellis | Director**

Phone: 0412 357 499 | Email: phil@directproducts.net.au

**Nick Ellis | Sales Executive**

Phone: 0438 006 731 | Email: nick@directproducts.net.au

**General Information**

Email: sales@directproducts.net.au